

# LuxMaster Hallway

DALI-2 APC - surface  
 EAN 4007841 086299  
 Article number 086299



max. 25 x 3 m



IP54



Bluetooth Mesh



brightness



2 - 12 m



KNX

5 years

manufacturer's warranty  
[steinel.de/garantie](http://steinel.de/garantie)



CE

## Function description

The smarter motion sensor knows more. Perfect radial detection up to 25 m – ideal for long corridors and hallways. Range adjustable in both directions. Modern Control PRO II design. Equipped with Bluetooth technology. Can be used as a control device in the DALI-2 APC interface. Supply and control of up to 64 DALI participants via the DALI bus for the perfect single-room solution. The luminaires can be controlled or addressed via broadcast and divided into up to four groups. Additional functions such as room divider function, creation of a multi-zone and the neighbouring group function. Simple automatic, time-based or individual control of the lighting via connected DALI push buttons or the Steinel Connect app.

## Technical specifications

Dimensions (L x W x H)	62 x 123 x 123 mm	Optimum mounting height	2,8 m
With motion detector	Yes	HF-system	5,8 GHz
Manufacturer's Warranty	5 years	Detection	also through glass, wood and stud walls
Settings via	Bluetooth Mesh	Detection angle	Aisle, 360 °
With remote control	No	Angle of aperture	160 °
Version	DALI-2 APC - surface	Sneak-by guard	Yes
PU1, EAN	4007841086299	Capability of masking out individual segments	No
Type	Presence detector	Electronic scalability	Yes
Application, place	Indoors	Mechanical scalability	No
Application, room	Indoors, corridor / aisle	Reach, radial	25 x 3 m (75 m <sup>2</sup> )
Colour	white	Reach, tangential	25 x 3 m (75 m <sup>2</sup> )
Colour, RAL	9003	Transmitter power	< 1 mW
Includes corner wall mount	No	Functions	Semi-/fully automatic, Constant-lighting control, Lighting scenario, Master/slave override,
Installation site	ceiling		
Installation	Surface wiring, Ceiling		
IP-rating	IP54		

# LuxMaster Hallway

DALI-2 APC - surface  
 EAN 4007841 086299  
 Article number 086299



## Technical specifications

Ambient temperature	from -20 up to 50 °C
Material	Plastic
Mains power supply	220 – 240 V / 50 – 60 Hz
Power supply, detail	max. 64 users
Control output, Dali	Addressable / broadcast 64 electronic ballasts
Technology, sensors	High frequency, Photo-cell controller
Mounting height	2 – 4 m
Mounting height max.	4,00 m

Neighbouring group function,  
 TouchDIM function, Multizone,  
 Foldingdoor function

Twilight setting	2 – 2000 lx
Time setting	10 s – 60 Min.
Basic light level function	Yes
Basic light level function time	10 min, all day, all night
Main light adjustable	Yes
Twilight setting TEACH	Yes
Constant-lighting control	Yes
Interconnection	Yes
Interconnection via	Bluetooth Mesh
Product category	Presence detector

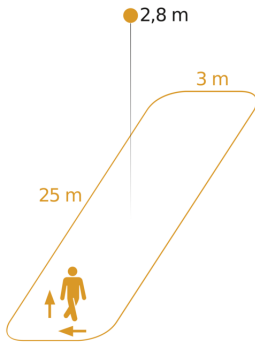
## Optional system components

EAN 4007841 082123	Pushbutton coupler PC4-DALI-2 white
EAN 4007841 082109	Relais REL5A-DALI-2
EAN 4007841 084653	Wireless push button PB2-Bluetooth
EAN 4007841 084660	Wireless push button PB4-Bluetooth
EAN 4007841 067342	PC4 Bluetooth push-button coupler
EAN 4007841 067342	PC4 Bluetooth push-button coupler

# LuxMaster Hallway

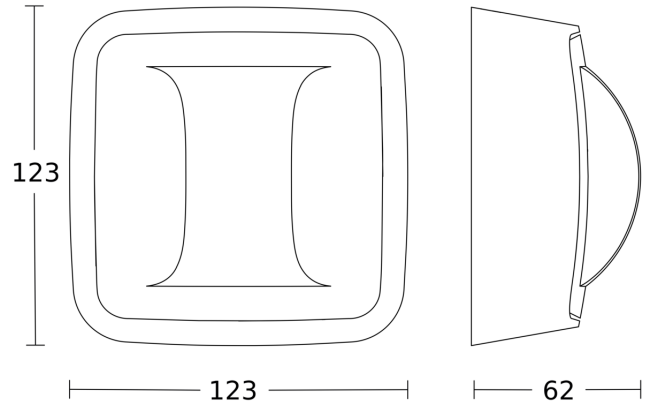
DALI-2 APC - surface  
 EAN 4007841 086299  
 Article number 086299

## Detection Zone

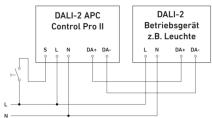


Possible mounting height: 2,00 m – 4,00 m  
 Orange: radial and tangential

## Dimension Drawing



## Master circuit diagram



## Master/slave interconnection circuit diagram

